

Hosefloat Bush set-up instructions



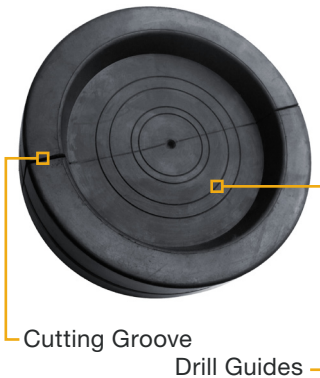
Preparation of a Hosefloat Bush is simple 2 step process:

Firmly secure the bush to a drill press

- ① Using a hole-saw kit, drill a hole to the pipe diameter first
 - ② Using a saw cut the bushes in half using the cut grooves
- ⚠ For safety, use a: 1. Drill press
2. Band saw



① Hole-saw kit



Cutting Groove
Drill Guides

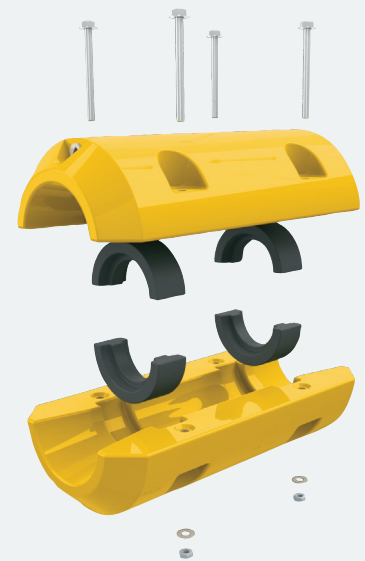


① Drill the pipe diameter first



② Cut the bushes in half using the cut grooves

Final Assembly



EPDM Rubber Bushes

Hosefloats bushes are made from EPDM rubber, a type of synthetic rubber. It's main properties are heat, ozone and weather resistance. It is also resistant to polar substances and steam, with excellent electrical insulating properties and resistance to ordinary diluted acids and alkalines.