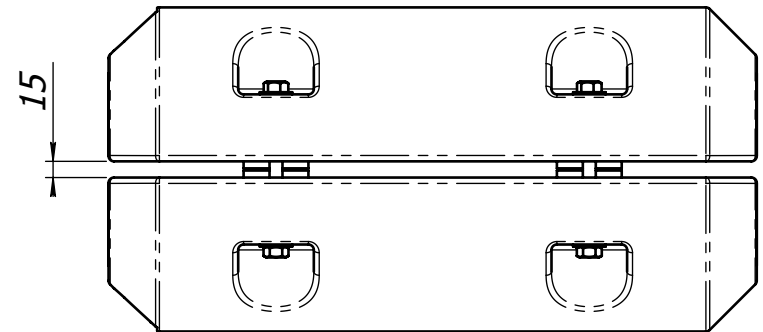
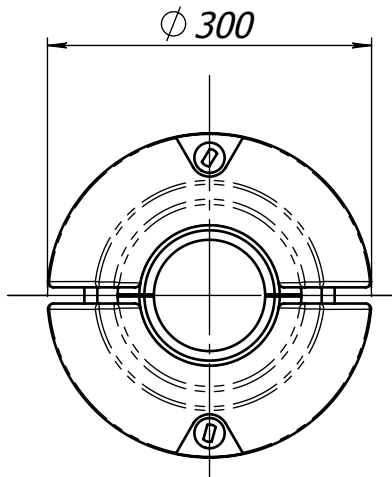
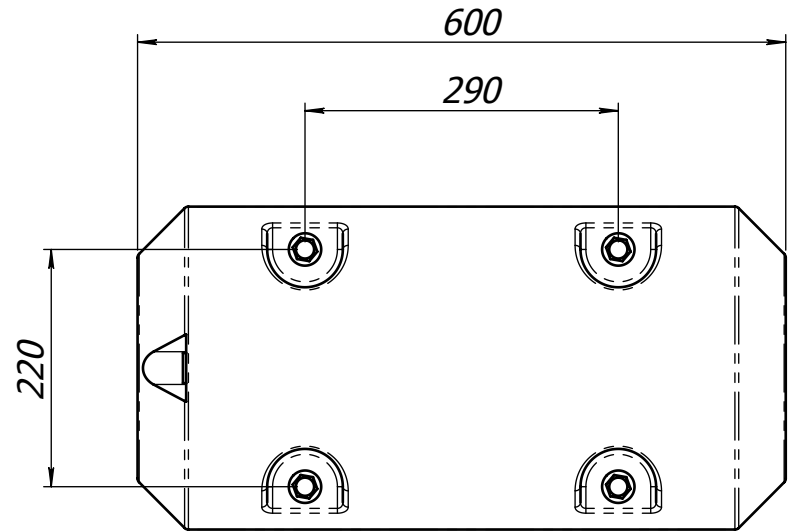


VARIABLE RUBBER BUSH
TO SUIT HOSE, CONDUIT
OR CABLE DIAMETERS,
FROM 10MM TO 130MM



REV	COMMENTS	DR'N	CHK'D	DATE		NAME	DATE	<p>© COPYRIGHT</p> <p>THIS DRAWING REMAINS THE PROPERTY OF: PALAMONT - ART IN MANUFACTURING THE CONTENTS OF THIS DRAWING ARE STRICTLY CONFIDENTIAL AND MAY NOT BE REPRODUCED, IN WHOLE OR PART, WITHOUT WRITTEN APPROVAL OF THE OWNER.</p>	PROJECT:	Pipefloats	
A	GENERAL DIMENSIONS	AB	NJ	9-8-2006	DRAWN	AB	9-8-06		CLIENT:		PALAMONT - art in manufacturing
					CHK'D				TITLE:	10MM TO 130MM DIA HOSE FLOAT	A4
					APPV'D				DWG NO.	HOSE FLOAT: 10MM TO 130MM DIA	REVISION
					MATERIAL:						A
					FINISH:			SHEET 1 OF 1			
					WEIGHT:			SCALE:1:7			